

VSM – Video Sync Module

Part Number #61122

Basic Specifications

Inputs

- Sync pulse from MoTeC Dash Logger
- Microphone input optional

Outputs

- Audio signal. Depending on wiring the audio signal consist of only the sync pulse or the microphone input with the sync pulse recorded over it (see Wiring)

Physical

- Connector 12 pin Deutsch DTM

Other Information

Compatibility

- *i2 Pro* (software version V1.0.3.21 or later)
- Dash Loggers
 - ADL3
 - SDL (software version V1.60 or later)
- VCS Video Capture System
- Video recorders with an external microphone or line input.

Accessories

- Mating connector #68058

Dash Logger Setup

1. In ADL3 Manager, on the **Connections** menu, select **Devices** and then click the **Output Pins** tab.
- OR -
In SDL Manager, on the **Functions** menu, select **Auxiliary Outputs**.
2. Select the Aux pin that is connected to the VSM and click **Change**.
3. In the **Output Mode** box, select **Video Sync**.



MoTeC's VSM Video Sync Module allows automatic synchronisation of in-car footage to the logged data for video analysis in MoTeC's *i2 Pro* data analysis software.

The module connects to an audio input on the video recorder of the in-car camera and to an auxiliary output of a MoTeC Dash Logger.

The VSM is compatible with most video recorders with an external microphone or line input.

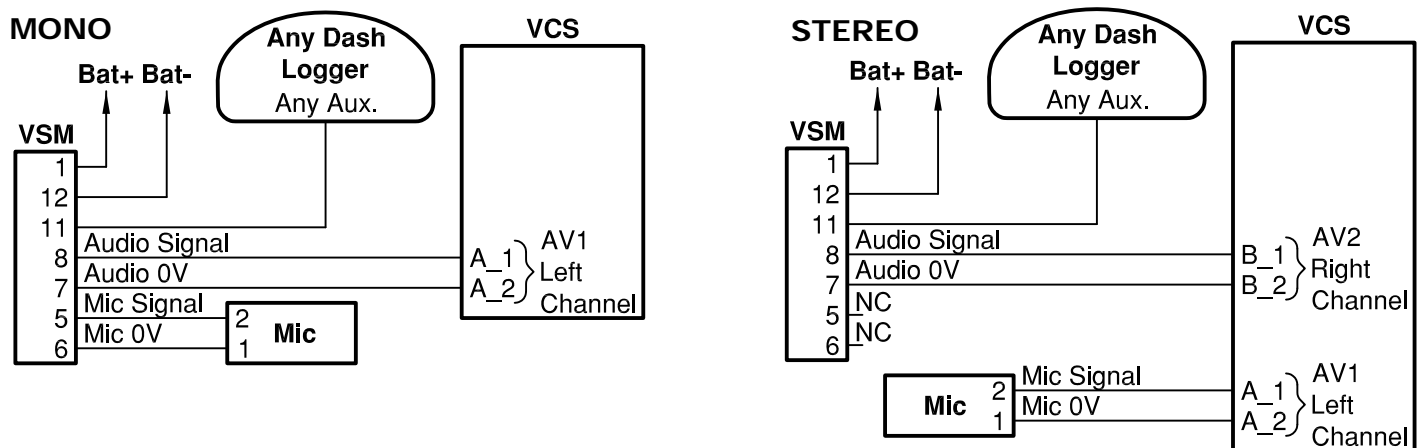
Connector and Pinout

Connector		
12 pin Deutsch DTM connector		
Mating connector #68058		
Pin no	Name	Function
1	Bat+	Battery Positive
5	Mic In	Microphone Signal
6	Mic 0V	Microphone 0 V
7	Aud 0V	Audio 0 V
8	Aud Out	Audio Signal
11	Aux In	Aux
12	Bat-	Battery Negative
Other pins	N/C	Not connected

Wiring

- There are two ways to record video using the VSM:
 1. Recording in mono: the audible sync pulse is recorded over the audio signal from the microphone.
 2. Recording in stereo: the audible sync pulse can be recorded on one channel, while the audio signal from the microphone will be recorded on the second channel.
- Power to the VSM can be spliced from the Dash Logger Bat+ and Bat-
- Dash Logger Aux output pins: ADL3 pin 9-16, SDL pin 5-8.

Wiring to MoTeC's VCS (Video Capture System)



Wiring to an audio plug for use with any video recorder

